

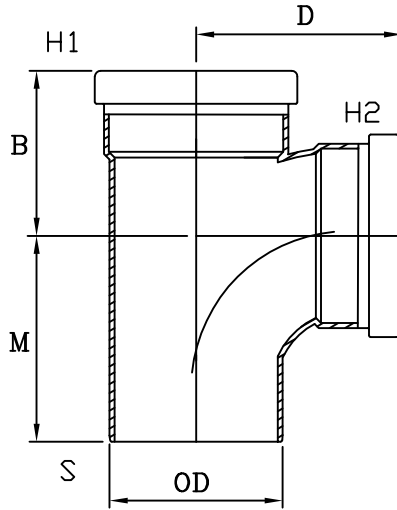


MULTI FITTINGS

LAYING LENGTH

ISSUE DATE: MAR 31/05
SUPERCEDES: FEB 23/01

TEE WYE (SxGxG)



INJECTION MOLDED FITTING (M)

	SIZE SxH2xH3	PART NUMBER	REFERENCE NUMBER	B REF	D REF	M REF	OD	
M =	8x8x4	067003	-	6.000	7.000	7.375	8.400	084
M =	8x8x6	067002	-	6.875	8.500	9.125	8.400	084
	12x12x6	067046	-	-	-	-	12.500	P

Note: = Refer to Page HW4 for Hub Detail, Type A