

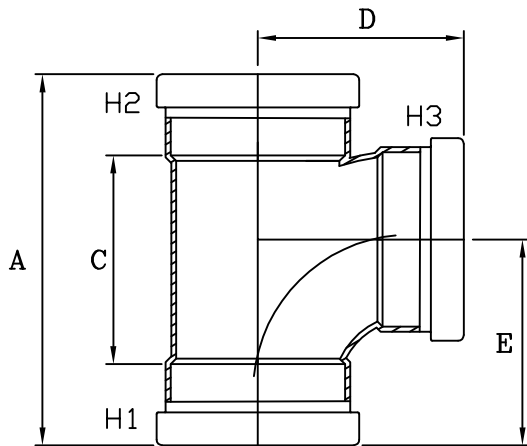


MULTI FITTINGS

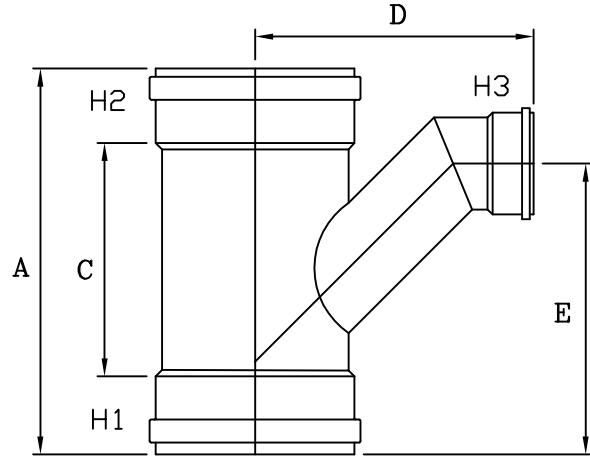
# LAYING LENGTH

ISSUE DATE: SEPT 14/07  
SUPERCEDES: SEPT 28/06

## TEE WYE (GxGxG)



INJECTION MOLDED FITTING (M)



FABRICATED FITTING (F)

	SIZE H1xH2xH3	PART NUMBER	REFERENCE NUMBER	A REF	C REF	D REF	E REF	
<>M=	4x4x4	067104	HWTY04	11.125	6.000	6.125	6.250	084
M =	6x6x6	067106	HWTY06	21.000	13.500	13.500	13.000	084
M =	6x6x4	067126	HWTY0604	11.750	5.875	6.500	6.875	084
M =	8x8x4	067128	HWTY0804	12.625	5.875	7.000	6.875	084
M =	8x8x6	067148	HWTY0806	15.250	8.375	8.500	8.625	084
F @	8x8x8	067108	HWTY08	18.500	10.500	17.000	16.500	082
	10x10x10	067110	-	-	-	-	-	P
F @	10x10x4	067130	HWTY1004	30.000	20.375	-	-	082
F @	10x10x6	067150	HWTY1006	30.000	20.375	-	-	082
	10x10x8	067151	HWTY1008	-	-	-	-	P
F @	12x12x4	067153	HWTY1204	30.000	19.500	-	-	082
	12x12x6	067152	HWTY1206	-	-	-	-	P
	12x12x8	067154	HWTY1208	-	-	-	-	P
F @	15x15x4	067155	HWTY1504	36.000	23.500	-	-	082
F @	15x15x6	067156	HWTY1506	36.000	23.500	-	-	082
	15x15x8	067157	HWTY1508	-	-	-	-	P
F @	18x18x4	067158 *	HWTY1804	44.000	21.500	-	-	082
F @	18x18x6	067159 *	HWTY1806	44.000	21.500	-	-	082
	18x18x8	067160 *	HWTY1808	-	-	-	-	P

Note: = Refer to Page HW4 for Hub Detail, Type A  
 @ Refer to Page HW5 for Hub Detail, Fabricated  
 \* Available on request  
 <> 4" Deep hub