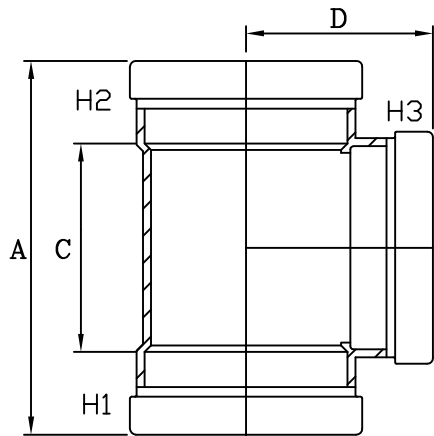




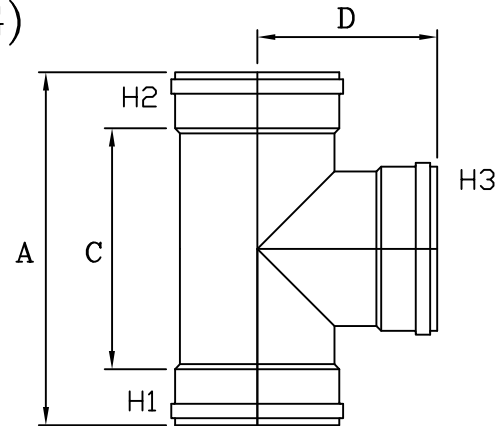
MULTI FITTINGS

LAYING LENGTH

ISSUE DATE: SEPT 28/06
SUPERCEDES: MAR 31/05



TEE (GxGxG)



INJECTION MOLDED FITTING (M)

FABRICATED FITTING (F)

	SIZE H1xH2xH3	PART NUMBER	REFERENCE NUMBER	A REF	C REF	D REF	
M =	4x4x4	067004	HWT04	8.625	4.500	4.375	084
M =	6x6x6	067006	HWT06	12.500	6.625	6.250	084
	6x6x4	067026	HWT0604	-	-	-	P
F @	8x8x8	067008	HWT08	30.000	22.000	-	082
M =	8x8x4	067028	HWT0804	13.500	6.750	6.375	084
M =	8x8x6	067048	HWT0806	13.500	6.750	7.375	084
F @	10x10x10	067029	HWT10	36.000	26.375	-	082
F @	10x10x4	067030	HWT1004	30.000	20.375	-	082
F @	10x10x6	067031	HWT1006	30.000	20.375	-	082
	10x10x8	067032	HWT1008	-	-	-	P
F @	12x12x12	067035	HWT12	36.000	25.500	-	082
	12x12x4	067060	HWT1204	-	-	-	P
F @	12x12x6	067037	HWT1206	30.000	19.500	-	082
	12x12x8	067036	HWT1208	-	-	-	P
	12x12x10	067062	HWT1210	-	-	-	P
	15x15x15	067038	HWT15	-	-	-	P
	15x15x4	067070	HWT1504	-	-	-	P
	15x15x6	067071	HWT1506	-	-	-	P
	15x15x8	067072	HWT1508	-	-	-	P
	15x15x10	067073	HWT1510	-	-	-	P
	15x15x12	067074	HWT1512	-	-	-	P
	18x18x18	067034 *	HWT18	-	-	-	P
	18x18x4	067039 *	HWT1804	-	-	-	P
	18x18x6	067061 *	HWT1806	-	-	-	P
	18x18x8	067067 *	HWT1808	-	-	-	P
	18x18x10	067068 *	HWT1810	-	-	-	P
	18x18x12	067069 *	HWT1812	-	-	-	P
	18x18x15	067033 *	HWT1815	-	-	-	P

Note: = Refer to Page HW4 for Hub Detail, Type A
 @ Refer to Page HW5 for Hub Detail, Fabricated
 * Available on request