

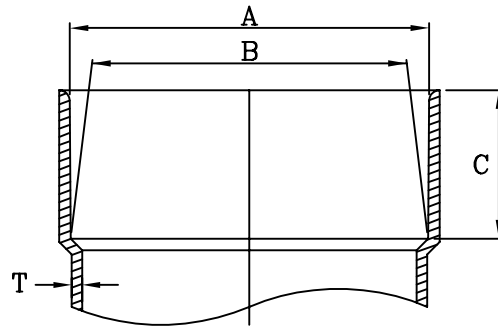


MULTI FITTINGS

LAYING LENGTH

ISSUE DATE: SEPT 25/06
SUPERCEDES:

SOLVENT WELD SCH40 HUB



SIZE	A	B	C	T
4	4.520	4.495	1.750	0.250