

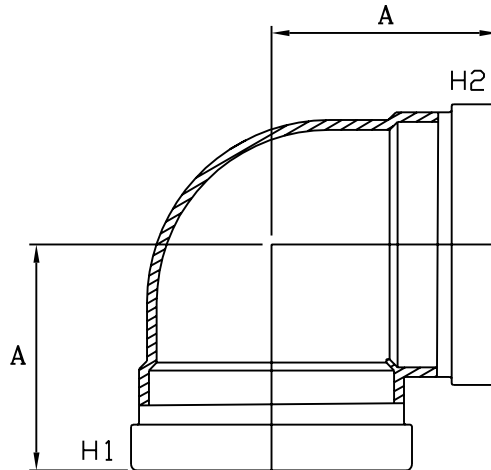


MULTI FITTINGS

# LAYING LENGTH

ISSUE DATE: MAR 31/05  
SUPERCEDES: MAY 22/03

## 90° SHORT ELBOW (GxG) (1/4 BEND)



INJECTION MOLDED FITTING (M)

	SIZE H1xH2	PART NUMBER	REFERENCE NUMBER	A REF	
M =	6x6	067346	HWEL9006	6.250	084
M =	8x8	067348	HWEL9008	7.875	084

NOTE: = Refer to Page HW4 for Hub Detail, Type A