

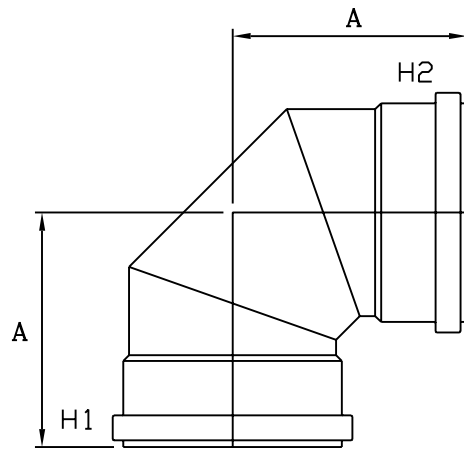
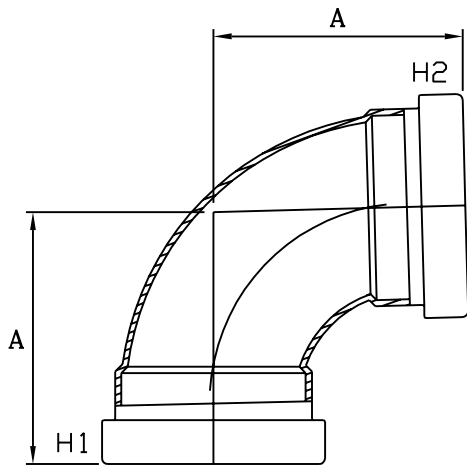


MULTI FITTINGS

# LAYING LENGTH

ISSUE DATE: MAR 31/05  
SUPERCEDES: MAY 22/03

## 90° LONG ELBOW (GxG) (1/4 BEND)



INJECTION MOLDED FITTING (M)

FABRICATED FITTING (F)

	SIZE H1xH2	PART NUMBER	REFERENCE NUMBER	A REF	
M =	4x4	067344	HWEL9004	5.750	084
F @	10x10	067349	HWEL9010	17.000	082
F @	12x12	067350	HWEL9012	19.000	082
F @	15x15	067351	HWEL9015	20.000	082
	18x18	067352 *	HWEL9018	-	P

NOTE: = Refer to Page HW4 for Hub Detail, Type A  
 @ Refer to Page HW5 for Hub Detail, Fabricated  
 \* Available on request