

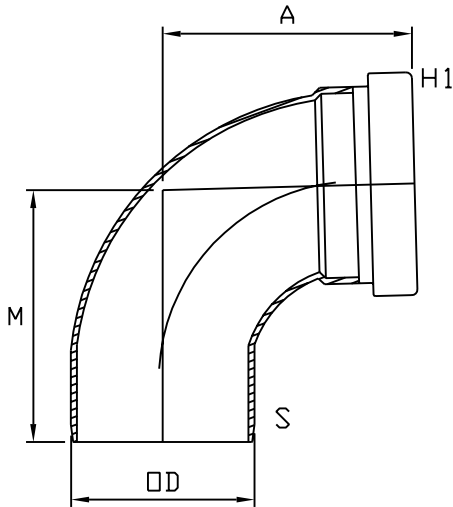


MULTI FITTINGS

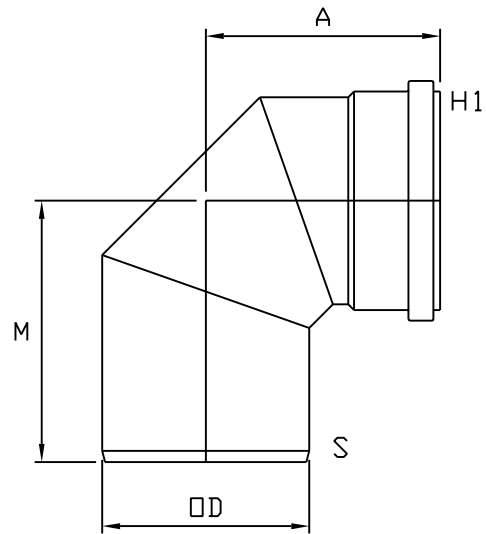
# LAYING LENGTH

ISSUE DATE: MAR 31/05  
SUPERCEDES: MAY 22/03

## 90° ELBOW (SxG) (1/4 BEND)



INJECTION MOLDED FITTING (M)



FABRICATED FITTING (F)

	SIZE SxH1	PART NUMBER	REFERENCE NUMBER	A REF	M REF	OD	
M =	4x4	067394	HWELS9004	5.750	6.000	4.215	084
	10x10	067399	HWELS9010	-	-	10.500	P
	12x12	067393	HWELS9012	-	-	12.500	P
	15x15	067392	HWELS9015	-	-	15.300	P
	18x18	067391 *	HWELS9018	-	-	18.701	P

NOTE: = Refer to Page HW4 for Hub Detail, Type A  
\* Available on request