

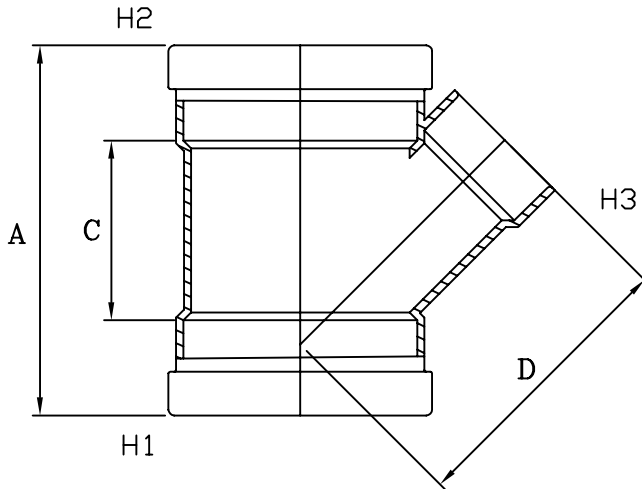


MULTI FITTINGS

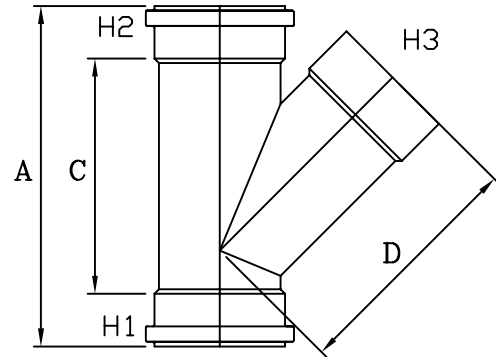
# LAYING LENGTH

ISSUE DATE: SEPT 20/06  
SUPERCEDES: MAR 31/05

## 45° WYE (GxGxSCH40 H)



INJECTION MOLDED FITTING (M)



FABRICATED FITTING (F)

	SIZE H1xH2xH3	PART NUMBER	REFERENCE NUMBER	A REF	C REF	D REF	
M =	8x8x4	067020	-	16.000	9.250	10.500	084
	8x8x6	067021	-	-	-	-	P
	10x10x4	067043	-	-	-	-	P
	12x12x4	067044	-	-	-	-	P
	12x12x6	067045	-	-	-	-	P
	15x15x6	067051	-	-	-	-	P

Note: = Refer to Page HW4 for Hub Detail, Type A  
= Refer to Page HW4-2 for SCH40 Hub Detail