

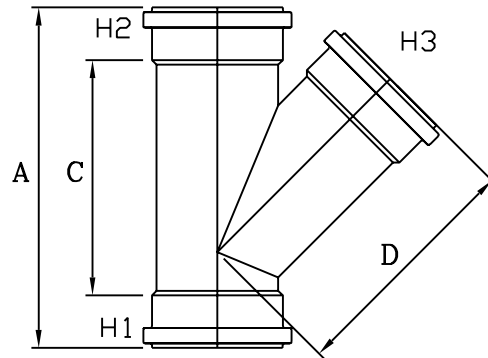


MULTI FITTINGS

LAYING LENGTH

ISSUE DATE: MAR 31/05
SUPERCEDES:

45° WYE (GxGxSCH40 G)



FABRICATED FITTING (F)

SIZE H1xH2xH3	PART NUMBER	REFERENCE NUMBER	A REF	C REF	D REF
8x8x4	067022	-	-	-	-
8x8x6	067023	-	-	-	-
10x10x4	067050	-	-	-	-
12x12x4	067049	-	-	-	-

P
P
P
P