

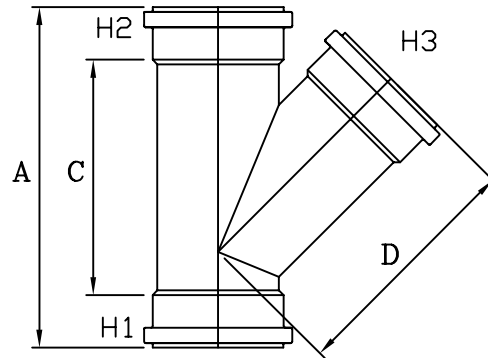


MULTI FITTINGS

LAYING LENGTH

ISSUE DATE: NOV 27/06
SUPERCEDES: MAR 31/05

45° WYE (GxGxG)



FABRICATED FITTING (F)

	SIZE H1xH2xH3	PART NUMBER	REFERENCE NUMBER	A REF	C REF	D REF	
	10x10x10	067210	HWY10	-	-	-	P
	10x10x8	067251	HWY1008	-	-	-	P
++F @	12x12x12	067253	HWY12	36.000	25.500	23.000	082
	12x12x8	067254	HWY1208	-	-	-	P
	12x12x10	067258	HWY1210	-	-	-	P
	15x15x15	067205	HWY15	-	-	-	P
	15x15x4	067259	HWY1504	-	-	-	P
F @	15x15x6	067255	HWY1506	36.000	23.500	-	082
	15x15x8	067257	HWY1508	-	-	-	P
	15x15x10	067271	HWY1510	-	-	-	P
	15x15x12	067272	HWY1512	-	-	-	P
	18x18x18	067203 *	HWY18	-	-	-	P
F @	18x18x4	067273 *	HWY1804	44.000	21.500	-	082
F @	18x18x6	067275 *	HWY1806	44.000	21.500	-	082
	18x18x8	067276 *	HWY1808	-	-	-	P
	18x18x10	067270 *	HWY1810	-	-	-	P
F @	18x18x12	067269 *	HWY1812	44.000	21.500	-	082
	18x18x15	067274 *	HWY1815	-	-	-	P
	21x21x6	067019	-	-	-	-	P
	21x21x4	067088	-	-	-	-	P

NOTE: @ Refer to Page HW5 for Hub Detail, Fabricated
* Available on request
++ FRP Reinforced