

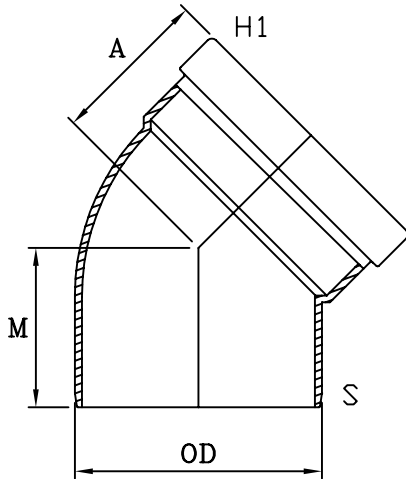


MULTI FITTINGS

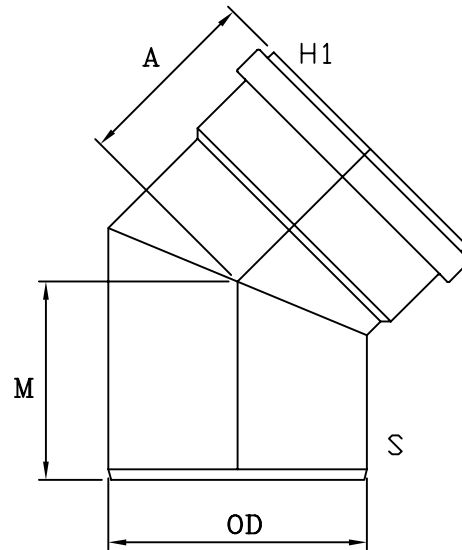
# LAYING LENGTH

ISSUE DATE: SEPT 18/07  
SUPERCEDES: MAR 31/05

## 45° ELBOW (SxG) (1/8 BEND)



INJECTION MOLDED FITTING (M)



FABRICATED FITTING (F)

	SIZE SxH1	PART NUMBER	REFERENCE NUMBER	A REF	M REF	OD	
M =	4x4	067374	HWELS4504	3.500	4.000	4.215	084
M =	6x6	067376	HWELS4506	4.625	5.125	6.275	084
M =	6x6 LONG	067016	-	5.500	6.375	6.275	084
M =	8x8	067378	HWELS4508	5.500	6.125	8.400	084
	10x10	067379	HWELS4510	-	-	10.500	P
	12x12	067332	HWELS4512	-	-	12.500	P
	15x15	067333	HWELS4515	-	-	15.300	P
	18x18	067334 *	HWELS4518	-	-	18.701	P

NOTE: = Refer to Page HW4 for Hub Detail, Type A  
\* Available on request