

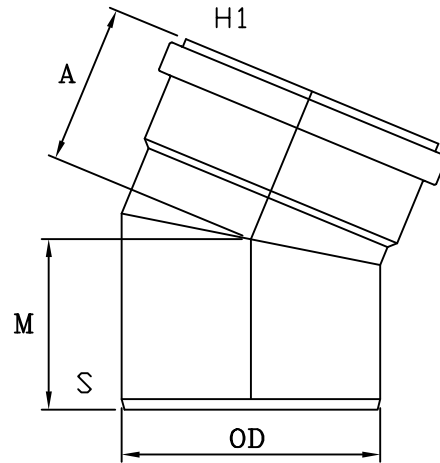
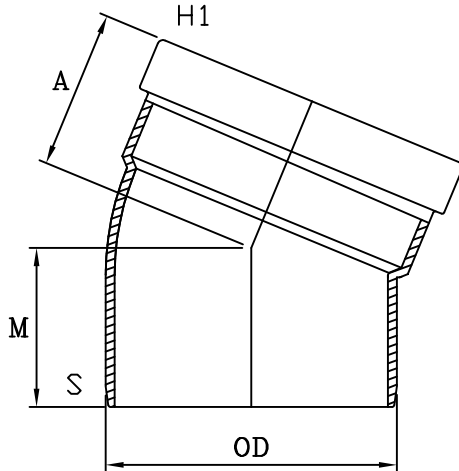


MULTI FITTINGS

# LAYING LENGTH

ISSUE DATE: SEPT 18/07  
SUPERCEDES: MAR 31/05

## 22 1/2° ELBOW (SxG) (1/16 BEND)



INJECTION MOLDED FITTING (M)

FABRICATED FITTING (F)

	SIZE SxH1	PART NUMBER	REFERENCE NUMBER	A REF	M REF	OD	
M =	4x4	067354	HWELS2204	3, 000	3, 500	4, 215	084
M #	6x6	067356	HWELS2206	4, 000	4, 500	6, 275	084
M =	6x6 LONG	067018	-	5, 000	5, 750	6, 275	084
	8x8	067358	HWELS2208	-	-	8, 400	P
	10x10	067359	HWELS2210	-	-	10, 500	P
	12x12	067312	HWELS2212	-	-	12, 500	P
	15x15	067313	HWELS2215	-	-	15, 300	P
	18x18	067314 *	HWELS2218	-	-	18, 701	P

NOTE: = Refer to Page HW4 for Hub Detail, Type A  
\* Available on request