

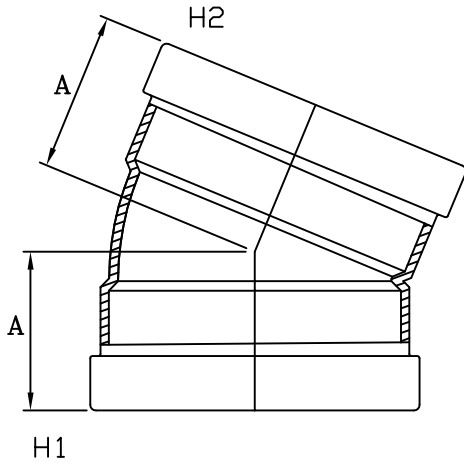


MULTI FITTINGS

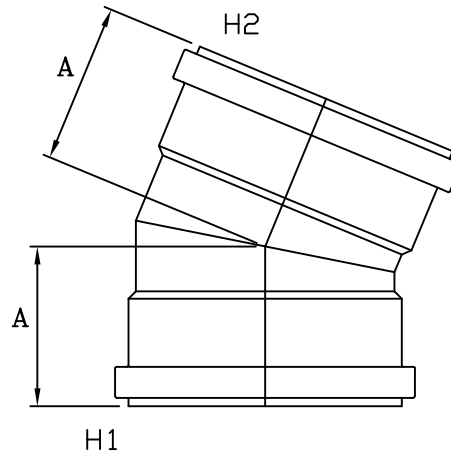
LAYING LENGTH

ISSUE DATE: SEPT 18/07
SUPERCEDES: MAR 31/05

22 1/2° ELBOW (GxG) (1/16 BEND)



INJECTION MOLDED FITTING (M)



FABRICATED FITTING (F)

	SIZE H1xH2	PART NUMBER	REFERENCE NUMBER	A REF	
M =	4x4	067304	HWEL2204	3.000	084
M =	6x6	067306	HWEL2206	4.000	084
M =	6x6 LONG	067017	-	5.000	084
F @	8x8	067308	HWEL2208	-	082
	10x10	067310	HWEL2210	-	P
	12x12	067311	HWEL2212	-	P
	15x15	067315	HWEL2215	-	P
	18x18	067318 *	HWEL2218	-	P

NOTE: = Refer to Page HW4 for Hub Detail, Type A
 @ Refer to Page HW5 for Hub Detail, Fabricated
 * Available on request