

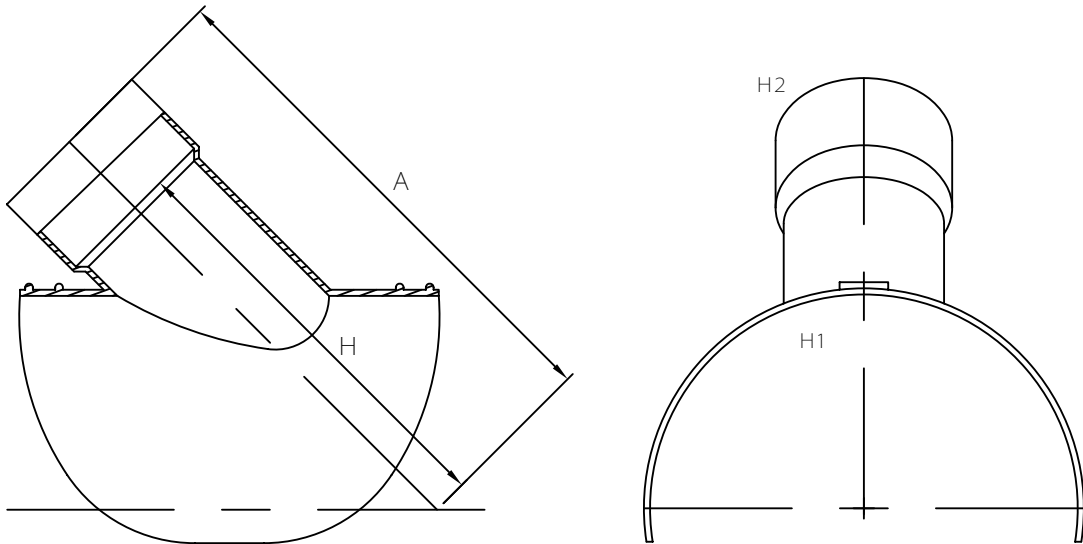


MULTI FITTINGS

LAYING LENGTH

ISSUE DATE: NOV 15/17
SUPERCEDES: MAY 10/05

SADDLE WYE SW SKIRT x SW HUB



INJECTION MOLDED FITTING (M)

	SIZE H1xH2	PART NUMBER	A REF	H REF
P	6x4	040785	-	-
P	8x4	040786	-	-
M	8x6	040788	12.250	9.250
P	10x4	040777	-	-
P	10x6	040063	-	-
P	12x4	040787	-	-
F	15x6	040675	-	-
P	24x8	040087	-	-