

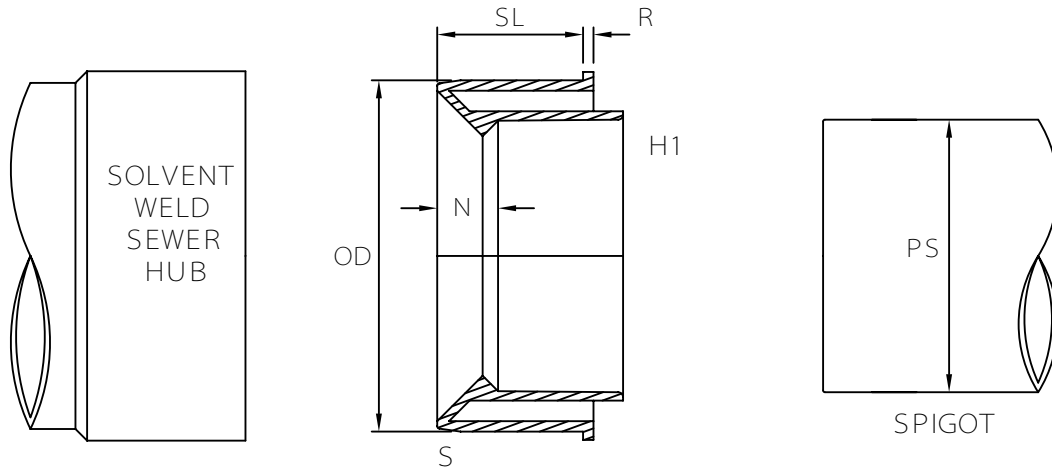


MULTI FITTINGS

# LAYING LENGTH

ISSUE DATE: NOV 15/17  
SUPERCEDES: MAY 10/05

## REDUCER BUSHING (SxH)



## INJECTION MOLDED FITTING (M)

SIZE SxH1	PART NUMBER	SL REF	R REF	N REF	OD	PS
M 4x3	040933	1.750	0.125	0.750	4.215	SEW - 3.250