

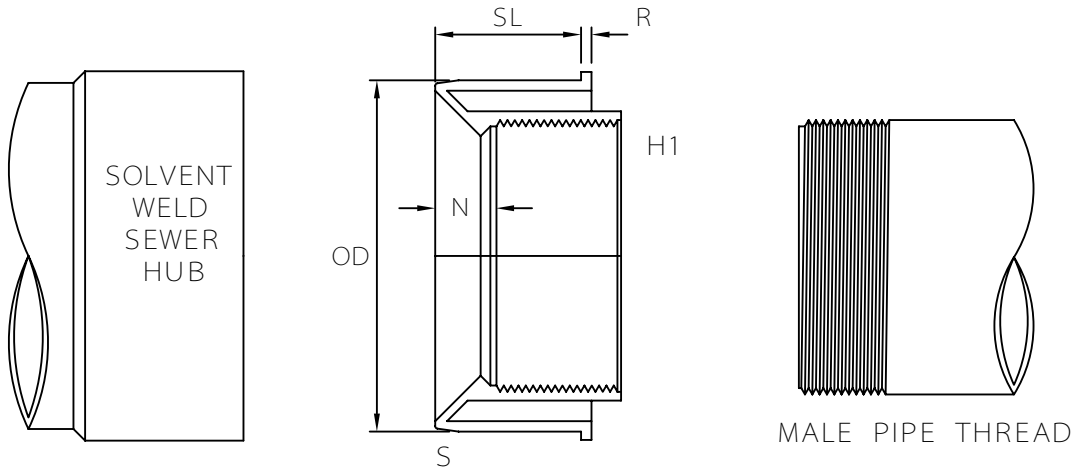


MULTI FITTINGS

# LAYING LENGTH

ISSUE DATE: NOV 15/17  
SUPERCEDES: MAY 10/05

## REDUCER BUSHING (SxH1)



### INJECTION MOLDED FITTING (M)

	SIZE SxH1	PART NUMBER	SL REF	R REF	N REF	OD
M	4x1 1/2	040416	1.750	0.250	1.250	4.250