

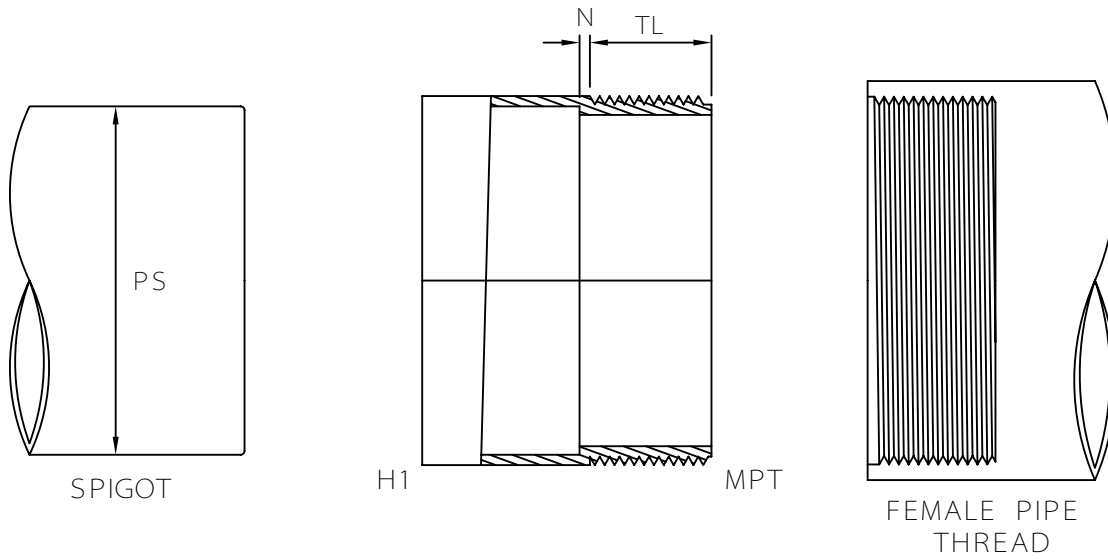


MULTI FITTINGS

LAYING LENGTH

ISSUE DATE: NOV 15/17
SUPERCEDES: MAY 10/05

MALE ADAPTER (HxMPT)



INJECTION MOLDED FITTING (M)

	PS	SIZE H1xMPT	PART NUMBER	N REF	TL REF
M	4.215	4x4	040723	0.125	1.300