

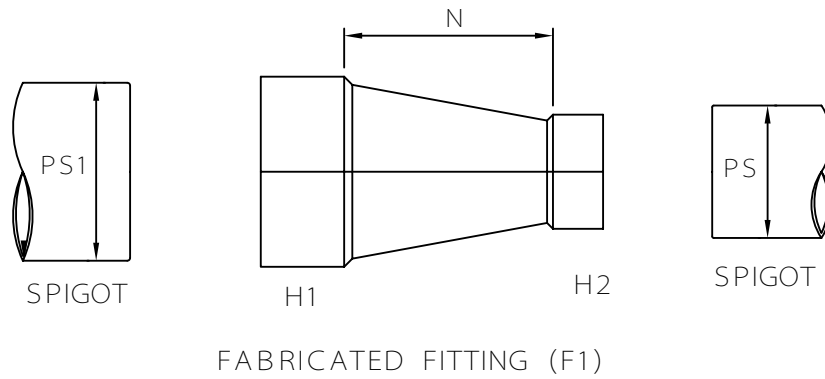
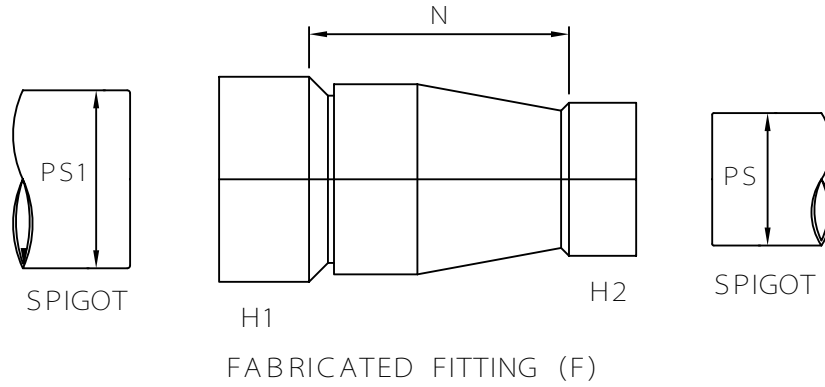


MULTI FITTINGS

LAYING LENGTH

ISSUE DATE: NOV 15/17
SUPERCEDES: MAY 10/05

INCREASER COUPLING (HxH)



	PS1	SIZE H1xH2	PART NUMBER	N REF	PS
F1	SEW - 10.500	10x8	040615	-	SEW - 8.400
F	SEW - 12.500	12x8	040618	9.000	SEW - 8.400
F	SEW - 15.300	15x10	040623	10.500	SEW - 10.500
F	SEW - 15.300	15x12	040627	10.000	SEW - 12.500
F	SEW - 18.701	18x15	040630	15.500	SEW - 15.300