

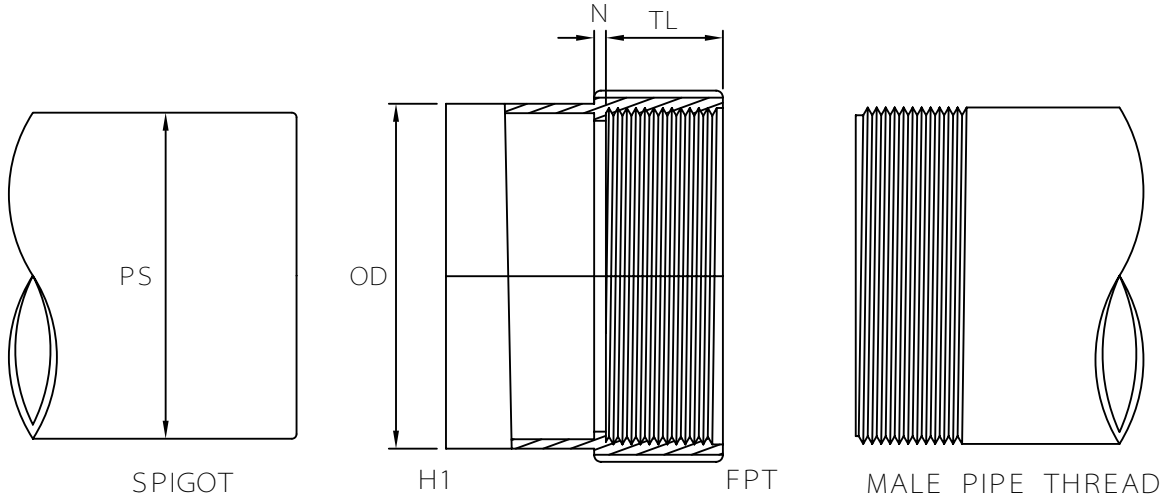


MULTI FITTINGS

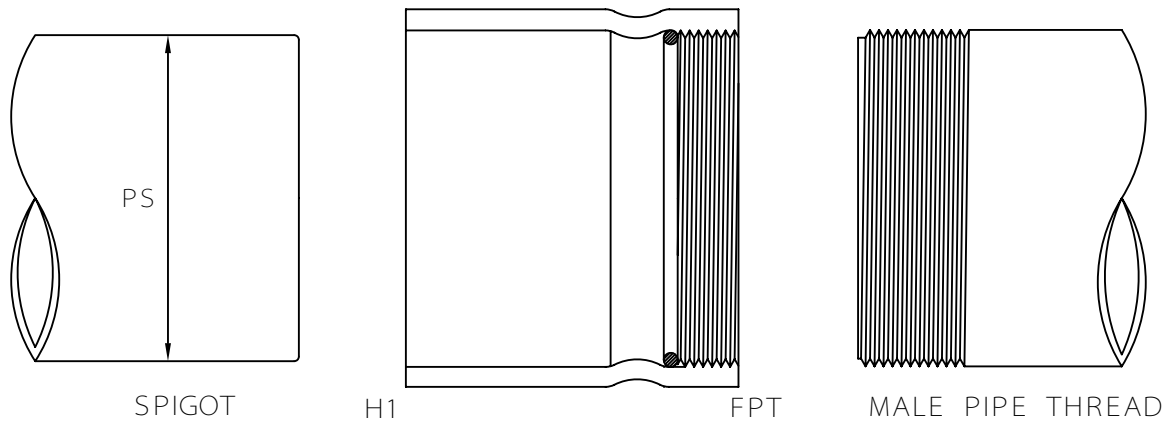
LAYING LENGTH

ISSUE DATE: NOV 15/17
SUPERCEDES: MAY 10/05

FEMALE ADAPTER (HxFPT)



INJECTION MOLDED FITTING (M)



FABRICATED FITTING (F)

	PS	SIZE H1xFPT	PART NUMBER	N REF	TL REF	OD
M	SEW - 3.250	3x3	040948	0.125	1.125	-
M	SEW - 4.215	4x4	040949	0.125	1.250	-
M	SEW - 6.275	6x6	040952	0.180	1.500	6.625
M	SEW - 8.400	8x8	040945	0.250	1.125	8.875
F	SEW - 10.500	10x10	040946	-	-	-
F	SEW - 12.500	12x12	040947	-	-	-