

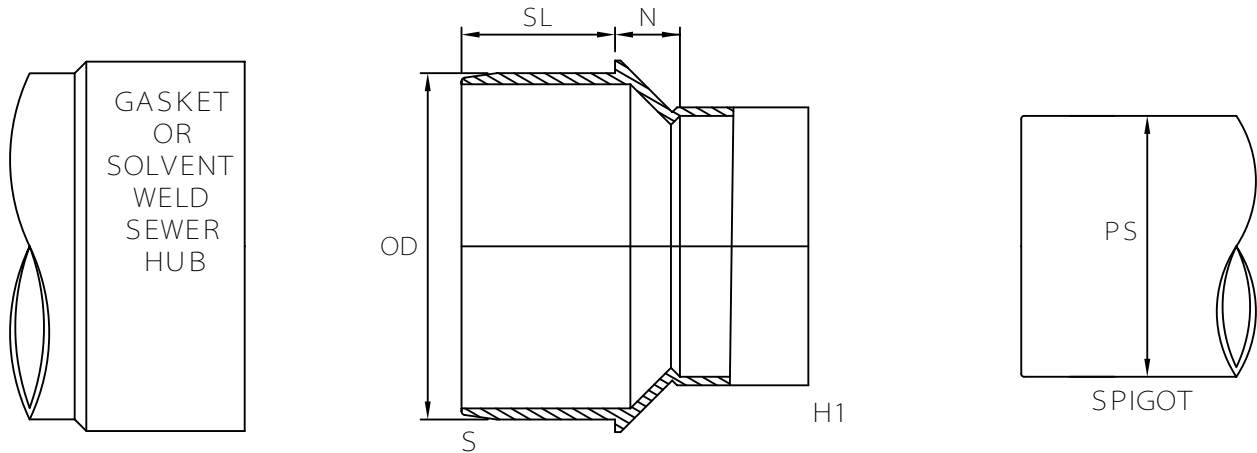


MULTI FITTINGS

# LAYING LENGTH

ISSUE DATE: NOV 15/17  
SUPERCEDES: MAY 10/05

## EXTENDED BUSHING (SxH)



INJECTION MOLDED FITTING (M)

|   | SIZE<br>SxH1 | PART<br>NUMBER | N<br>REF | SL<br>REF | OD    | PS          |
|---|--------------|----------------|----------|-----------|-------|-------------|
| M | 4x3          | 040934         | 0.375    | 2.000     | 4.215 | DWV - 3.500 |
| M | 6x4          | 040939         | 1.375    | 3.000     | 6.275 | SEW - 4.215 |
| M | 6x4          | 040941         | 1.500    | 3.000     | 6.275 | DWV - 4.500 |
| M | 8x4          | 040897         | 2.375    | 4.125     | 8.400 | SEW - 4.215 |
| M | 8x6          | 040940         | 1.500    | 4.000     | 8.400 | SEW - 6.275 |