

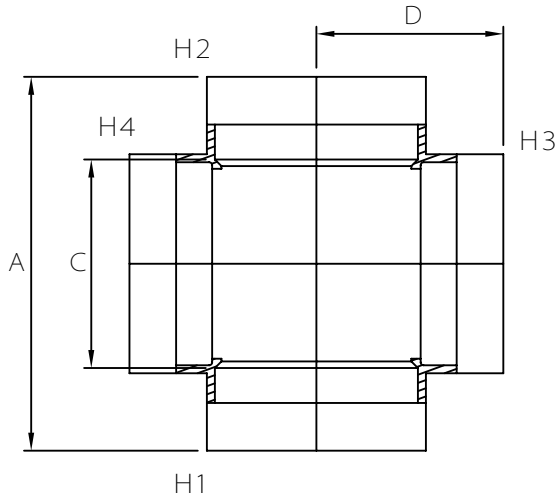


MULTI FITTINGS

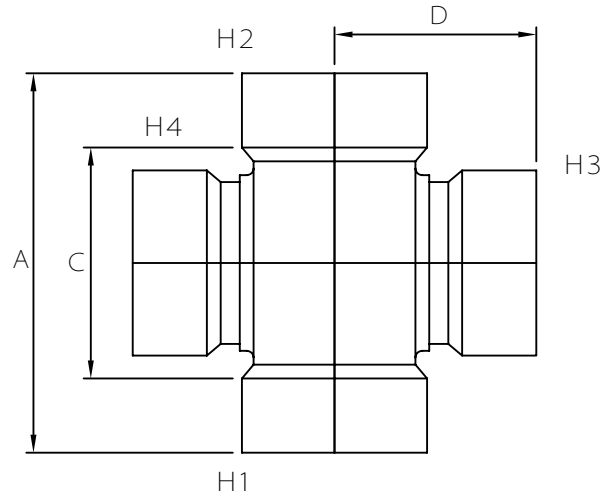
# LAYING LENGTH

ISSUE DATE: NOV 15/17  
SUPERCEDES: MAY 10/05

## CROSS TEE (HxHxHxH)



INJECTION MOLDED FITTING (M)



FABRICATED FITTING (F)

	SIZE H1xH2xH3xH4	PART NUMBER	A REF	C REF	D REF
M	3x3x3x3	040975	6.750	3.750	3.375
M	4x4x4x4	040976	8.000	4.500	4.000
F	6x6x4x4	040045	-	-	-
F	6x6x6x6	040915	-	-	-
F	8x8x8x8	040828	-	-	-
F	12x12x12x12	040010	-	-	-