

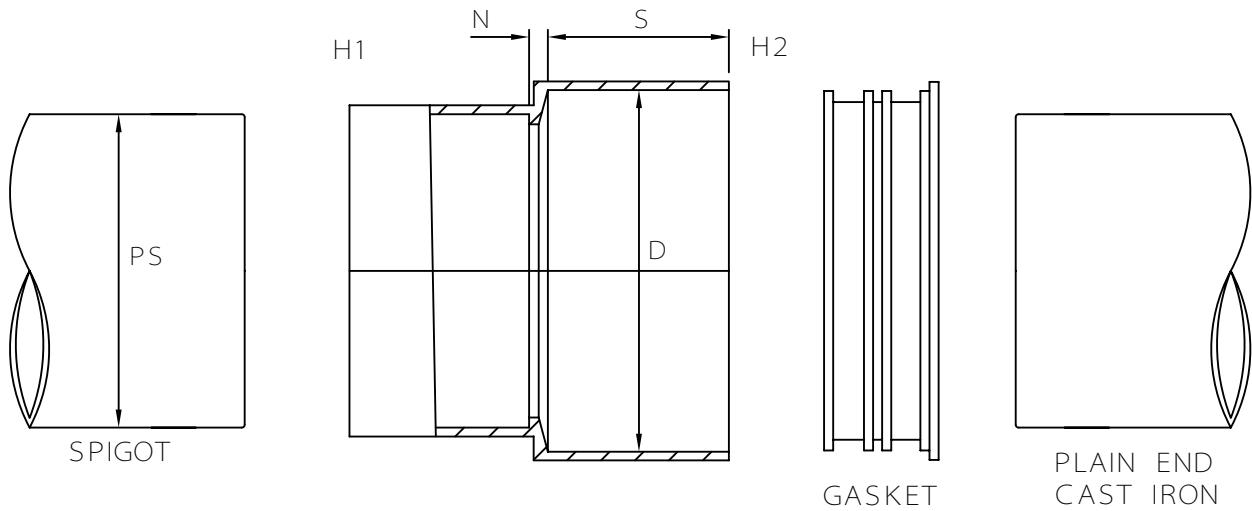


MULTI FITTINGS

LAYING LENGTH

ISSUE DATE: NOV 15/17
 SUPERCEDES: MAY 10/05

C.I. SPIGOT ADAPTER (HxCI)



INJECTION MOLDED FITTING (M)

	PS	SIZE H1xH2	PART NUMBER	N MIN	S MIN	D MIN
M	SEW - 4.215	4x4	040704	0.375	2.625	-