

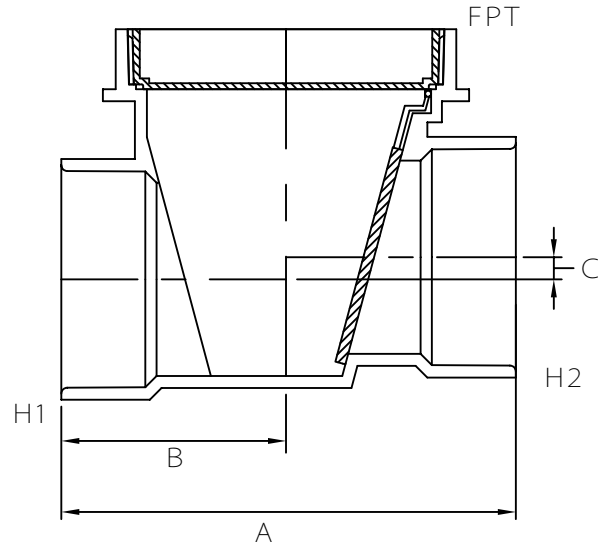


MULTI FITTINGS

# LAYING LENGTH

ISSUE DATE: NOV 15/17  
SUPERCEDES: MAY 10/05

## BACKWATER VALVE



INJECTION MOLDED FITTING (M)

	SIZE H1xH2xFPT	PART NUMBER	REFERENCE NUMBER	A REF	B REF	C REF
M	4x4xFPT	040523	-	11.000	5.250	0.500