

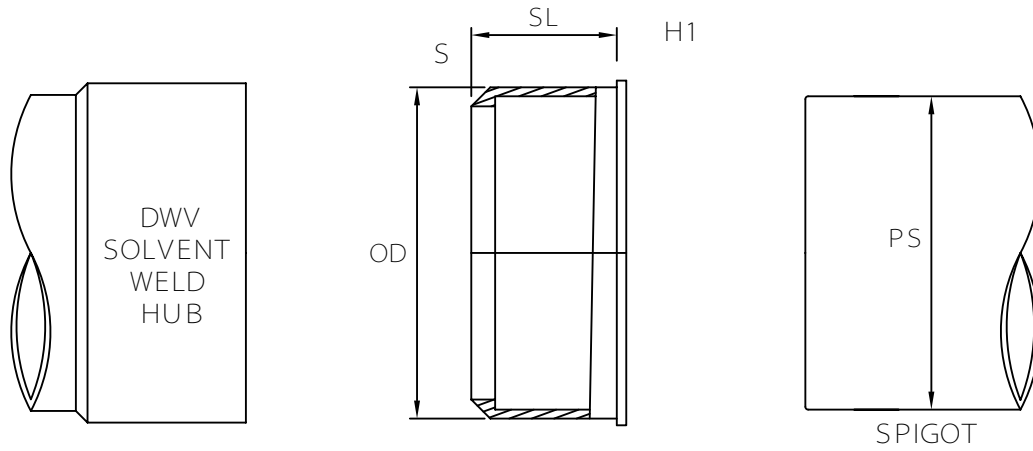


MULTI FITTINGS

# LAYING LENGTH

ISSUE DATE: NOV 15/17  
SUPERCEDES: MAY 10/05

## ADAPTER SLEEVE (SxH)



## INJECTION MOLDED FITTING (M)

	SIZE SxH1	PART NUMBER	SL REF	OD	PS
M	4x4	040342	2.000	4.500	SEW - 4.215