

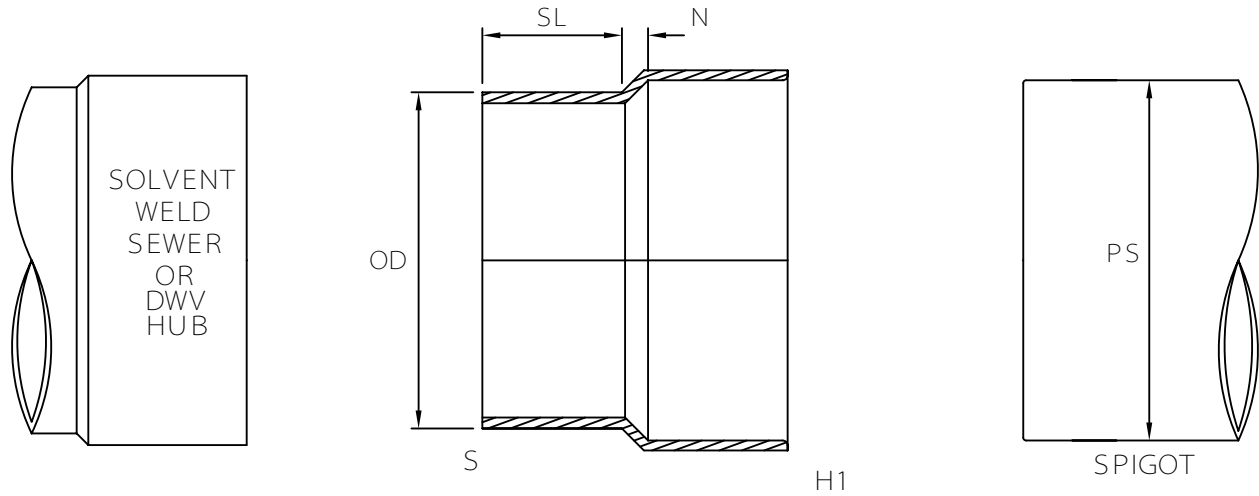


MULTI FITTINGS

LAYING LENGTH

ISSUE DATE: NOV 15/17
SUPERCEDES: MAY 10/05

ADAPTER (SxH)



INJECTION MOLDED FITTING (M)
FABRICATED FITTING (F)

	SIZE SxH1	PART NUMBER	N REF	SL REF	OD	PS
M	4x4	040728	0.375	1.750	4.215	DWV - 4.500
*M	4x4	040808	0.375	3.000	4.215	DWV - 4.500
M	6x6	040729	0.375	3.000	6.275	DWV - 6.625
F	8x8	040179	-	-	8.625	SEW - 8.400
F	8x8	040340	-	-	8.400	DWV - 8.625
F	10x10	040726	-	-	10.500	DWV - 10.750
F	12x12	040207	-	-	12.750	SEW - 12.500
F	12x12	040710	-	-	12.500	DWV - 12.750

* LONG

