

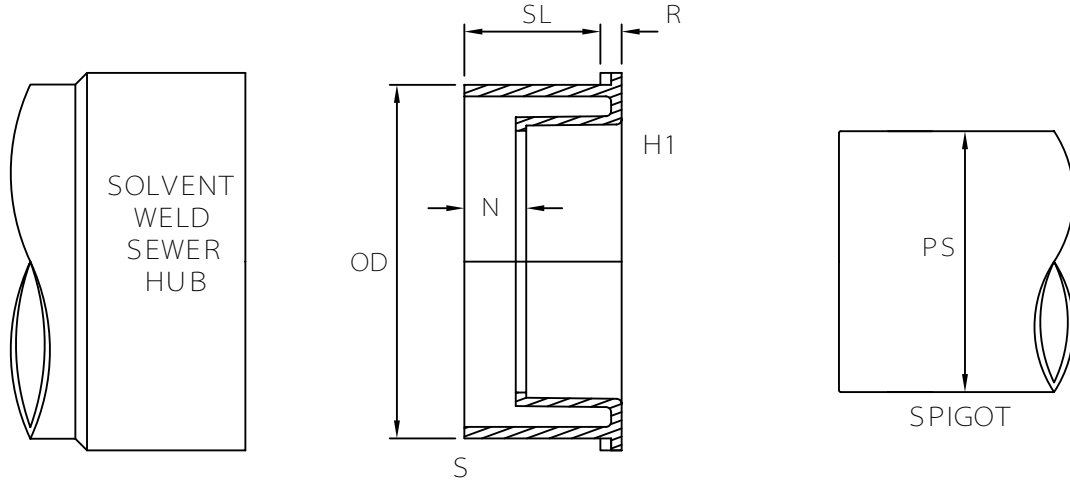


MULTI FITTINGS

# LAYING LENGTH

ISSUE DATE: NOV 15/17  
 SUPERCEDES: MAY 10/05

## ADAPTER BUSHING (SxH)



## INJECTION MOLDED FITTING (M)

	SIZE SxH1	PART NUMBER	SL REF	R REF	N REF	OD	PS
M	3x2	040341	1.250	0.375	1.000	3.250	DWV - 2.375
M	4x2	040935	1.750	0.125	1.000	4.215	DWV - 2.375