

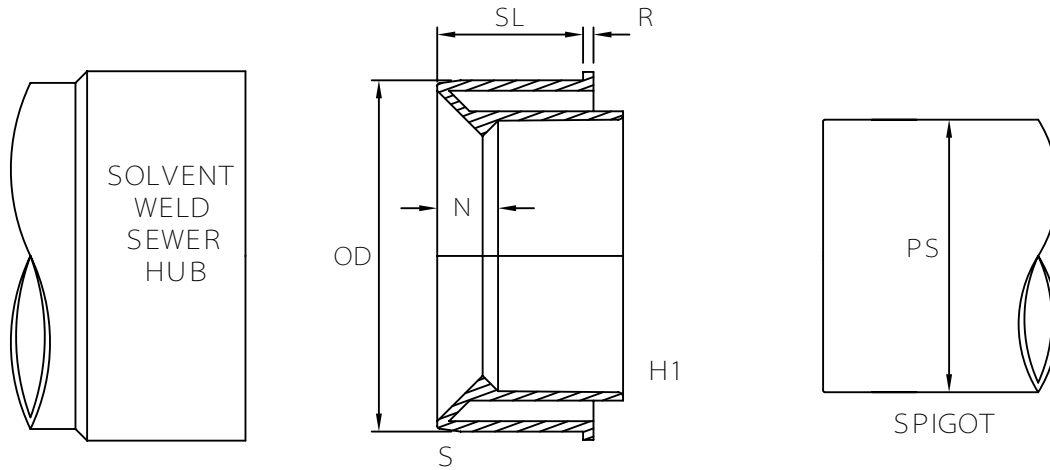


MULTI FITTINGS

# LAYING LENGTH

ISSUE DATE: NOV 15/17  
SUPERCEDES: MAY 10/05

## ADAPTER BUSHING (SxH)



## INJECTION MOLDED FITTING (M)

	SIZE SxH1	PART NUMBER	SL REF	R REF	N REF	OD	PS
M	3x1 1/2	040932	1.500	0.125	1.000	3.250	DWV - 1.900
P	4x1 1/2	040011	-	-	-	4.215	DWV - 1.900