

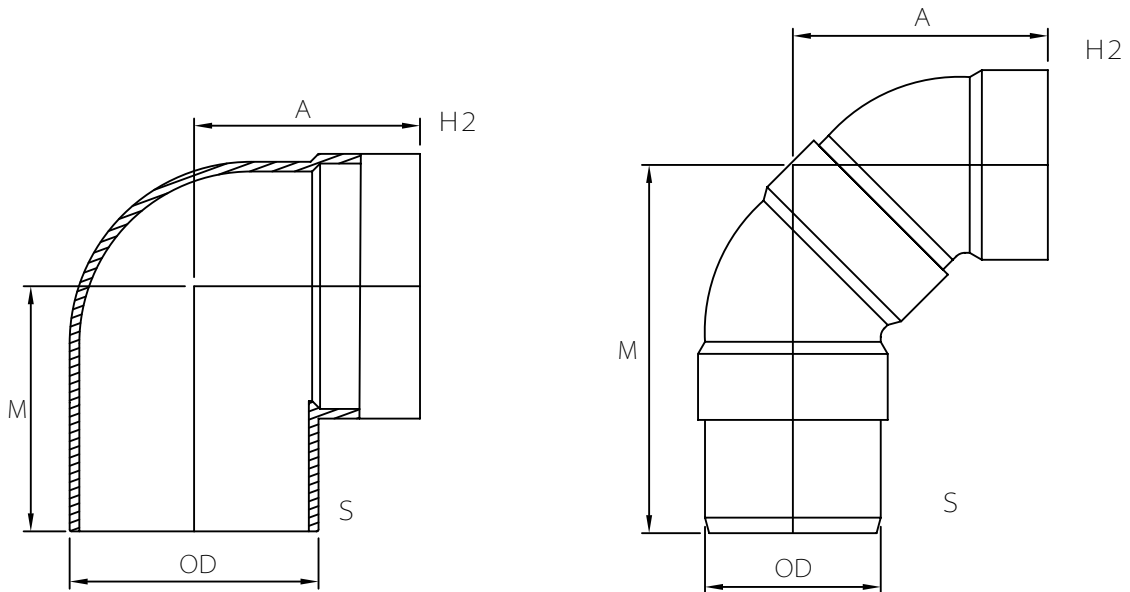


MULTI FITTINGS

LAYING LENGTH

ISSUE DATE: NOV 15/17
SUPERCEDES: MAY 10/05

90 ° VENT ELBOW (SxH) (1/4 BEND)



INJECTION MOLDED FITTING (M)

FABRICATED FITTING (F)

	SIZE SxH2	PART NUMBER	A REF	M REF	OD
M	4x4	040274	4.000	4.000	4.215
M	6x6	040236	6.250	6.375	6.275
M	8x8	040237	8.375	9.375	8.400
F	12x12	040258	-	-	12.500
F	15x15	040103	-	-	15.300