

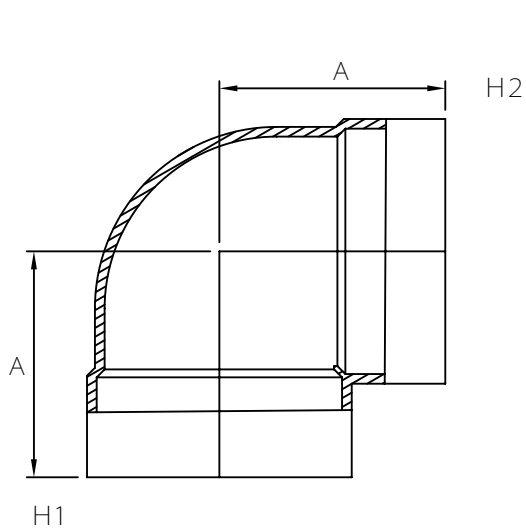


MULTI FITTINGS

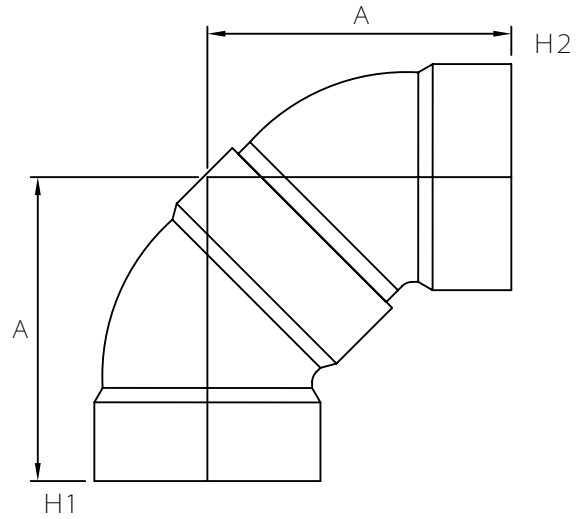
LAYING LENGTH

ISSUE DATE: NOV 15/17
SUPERCEDES: MAY 10/05

90° VENT ELBOW (HxH) (1/4 BEND)



INJECTION MOLDED FITTING (M)



FABRICATED FITTING (F)

	SIZE H1xH2	PART NUMBER	A REF
M	3x3	040037	3.125
M	4x4	040256	4.000
M	6x6	040206	6.250
M	8x8	040208	8.375
M	10x10	040260	10.500
M	12x12	040261	12.500
M	15x15	040184	15.625
F	15x15	040262	-
F	18x18	040263	-
F	24x24	040075	-