

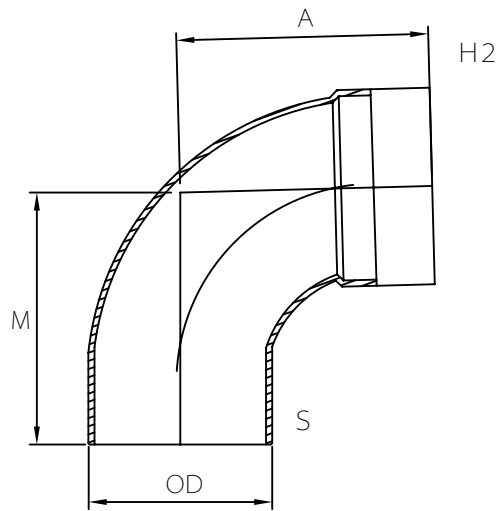


MULTI FITTINGS

LAYING LENGTH

ISSUE DATE: NOV 15/17
SUPERCEDES: MAY 10/05

90 ° LONG ELBOW (SxH) (1/4 BEND)



INJECTION MOLDED FITTING (M)

	SIZE SxH2	PART NUMBER	A REF	M REF	OD
M	3x3	040272	4.375	4.375	3.250
M	4x4	040234	5.375	5.375	4.215
P	6x6	040282	-	-	6.275
F	8x8	040283	-	-	8.400