

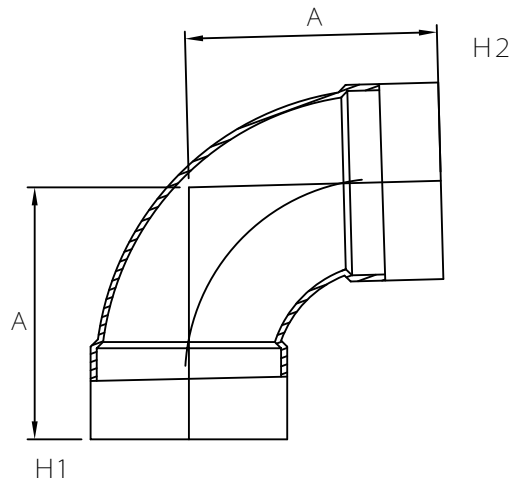


MULTI FITTINGS

LAYING LENGTH

ISSUE DATE: NOV 15/17
SUPERCEDES: MAY 10/05

90 ° LONG ELBOW (HxH) (1/4 BEND)



INJECTION MOLDED FITTING (M)

	SIZE H1xH2	PART NUMBER	A REF
M	3x3	040255	4.375
M	4x4	040214	5.375
M	6x6	040280	8.375
F	8x8	040036	-