

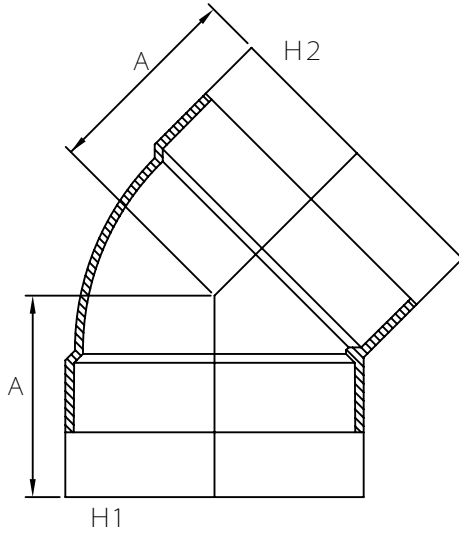


MULTI FITTINGS

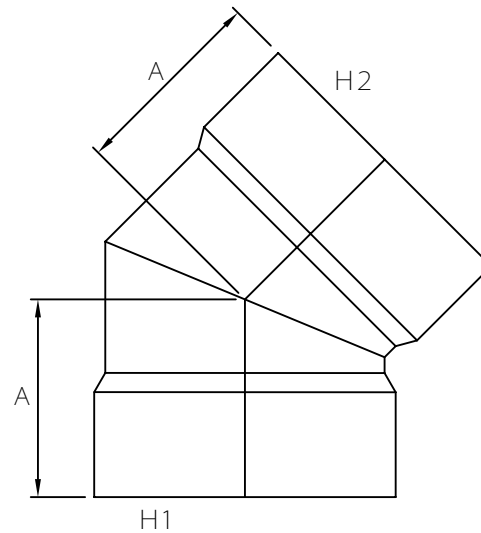
LAYING LENGTH

ISSUE DATE: NOV 15/17
SUPERCEDES: MAY 10/05

45 ° ELBOW (HxH) (1/8 BEND)



INJECTION MOLDED FITTING (M)



FABRICATED FITTING (F)

	SIZE H1xH2	PART NUMBER	A REF
M	3x3	040502	2.250
M	4x4	040504	2.750
M	6x6	040506	4.500
M	8x8	040508	6.000
F	10x10	040407	11.500
F	12x12	040409	13.500
F	15x15	040410	14.500
F	18x18	040411	20.000
F	24x24	040399	-