

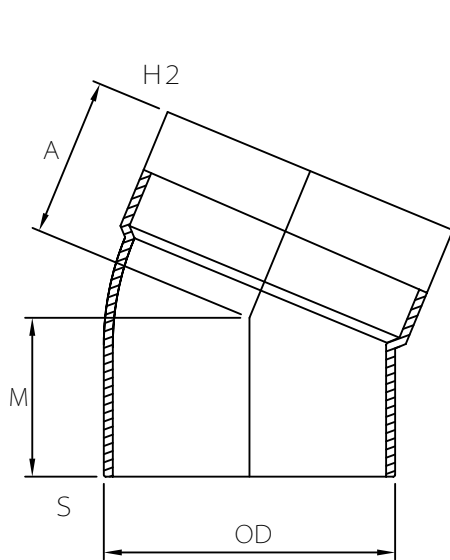


MULTI FITTINGS

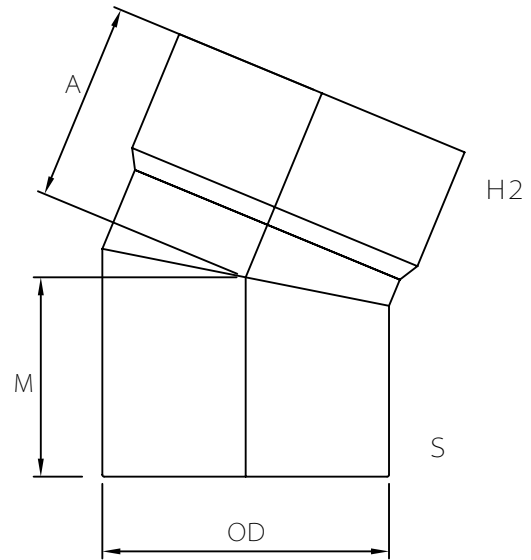
LAYING LENGTH

ISSUE DATE: JULY/19/2017
 SUPERCEDES: MAY/10/2005

22 1/2° ELBOW (SxH) (1/16 BEND)



INJECTION MOLDED FITTING (M)



FABRICATED FITTING (F)

| | SIZE SxH2 | PART NUMBER | M REF | A REF | OD | |
|---|--------------|----------------|----------|----------|--------|-----|
| M | 4x4 | 040864 | 3.000 | 2.375 | 4.215 | 084 |
| M | 6x6 | 040866 | 4.625 | 3.875 | 6.275 | 084 |
| F | 18x18 | 040977 | - | - | 18.701 | 670 |