

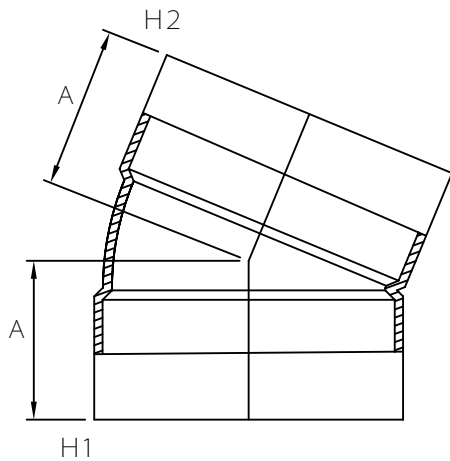


MULTI FITTINGS

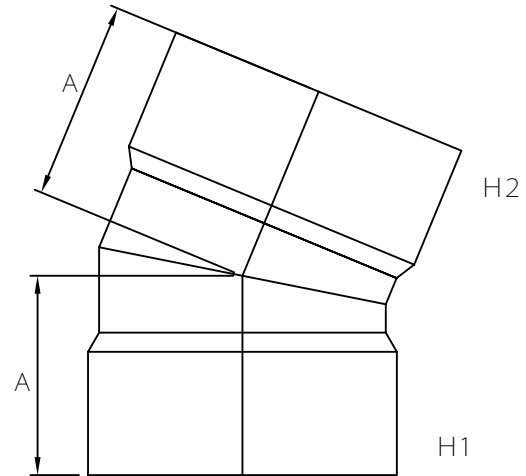
LAYING LENGTH

ISSUE DATE: NOV 15/17
SUPERCEDES: MAY 10/05

22 1/2° ELBOW (HxH) (1/16 BEND)



INJECTION MOLDED FITTING (M)



FABRICATED FITTING (F)

	SIZE H1xH2	PART NUMBER	A REF
M	3x3	040963	1.875
M	4x4	040964	2.250
M	6x6	040969	3.875
M	8x8	040970	5.125
F	10x10	040971	10.000
F	12x12	040973	10.500
F	15x15	040974	-
F	18x18	040042	-