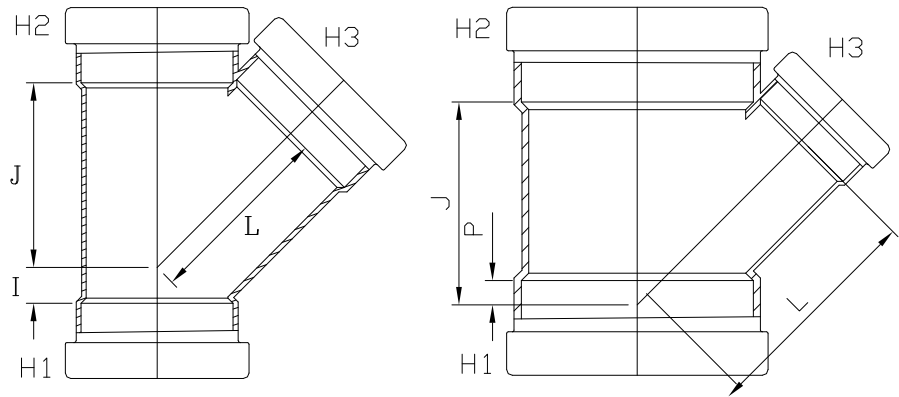


Issue Date:	
Date D'Emission:	2014 04 07
Supercedes:	
Remplace:	0000 00 00

**SDR35 Gasketed PVC Sewer Fittings**

**45° WYE (GxGxG) (mm)**



SIZE H1xH2xH3		ASSEMBLY CODE	I MIN in.	J MIN in.	L MIN in.	P MIN in.
15x15x15	375x375x375	143310	3.750	18.477	19.193	
15x15x10	375x375x250	143317	3.750	18.477	16.064	
15x15x12	375x375x300	143318	3.750	18.477	17.060	
18x18x4	450x450x100	143904		14.332	15.288	3.875
18x18x6	450x450x150	143903		14.332	17.279	3.875

**NOTE: Fittings above under development**

\* CSA Certified / Approves  
 # IAPMO (UPS) Certified / Approuves  
 ^ City of LA Certified / Approuves