

8" INJECTION MOLDED DR18 CIOD C900 SEWER WYES



Multi Fittings has expanded its industry leading range of gasketed injection molded sewer fittings and now offers DR18 CIOD sewer wyes in 8" x 4" and 8" x 6" configurations. These new high quality fittings feature Multi Fittings special high molecular weight PVC compound with the highest impact strength currently available in North America.

These "C900" wyes are available with both CIOD and sewer sized branches, however, the entire fitting is a minimum DR18 thickness. Even though these fittings are specifically designed for non-pressure sewer applications only, they feature the same water-tight gaskets as our AWWA C900 pressure fittings and can even be equipped with oil resistant nitrile gaskets for use in soils that are (or potentially could be) contaminated with hydrocarbons.

Multi Fittings injection molded DR18 sewer wyes represent a significant quality and performance improvement from the fabricated fittings currently available on the market and feature a specially engineered design.

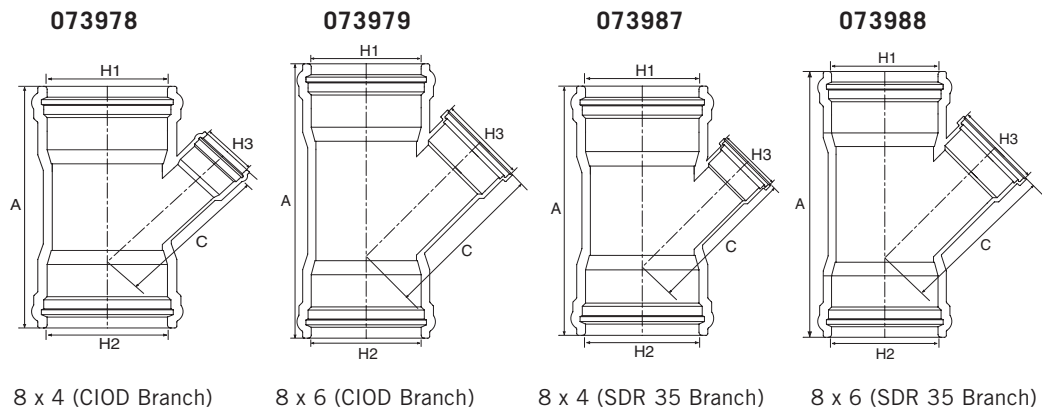
SEWER BRUTE™

SIZES

8" x 8" x 4"
8" x 8" x 6"

FEATURES & BENEFITS

Tight Joints
Easy to Install



	073978	073979	073987	073988
Size (H1 x H2 x H3)	8 x 8 x 4	8 x 8 x 6	8 x 8 x 4	8 x 8 x 6
A REF	20.00	22.75	20.00	22.75
C REF	14.25	15.75	12.00	13.375

MULTI FITTINGS

Telephone: 519 681-2140
Toll Free: 800 265-1815
Fax: 519 681-2156