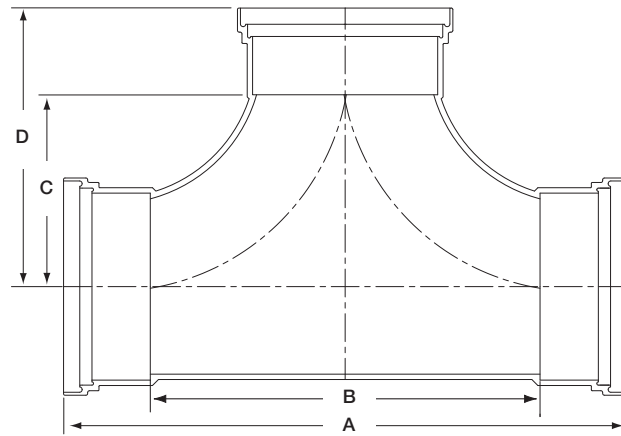


MOLDED SDR26 2-WAY CLEANOUT

Multi Fittings is pleased to announce that we have expanded our product line to include a molded Heavy Wall, 6" SDR26 2-Way Cleanout.

Designed to create an access point for the sewer line, the 2-Way Cleanout sweeps in both directions for superior line accessibility. The gentle bend of the sweep easily allows a camera to be inserted to monitor or trouble shoot the line as well as provide easy access for general maintenance.

The 2-Way Cleanout also features a locked-in gasket design and is structurally reinforced in key high stress locations for optimum performance.



TRENCH TOUGH PLUS™

FEATURES & BENEFITS

Molded Configuration
for Strength

Locked-in Gasket Design

Superior Joint Design

Structurally Reinforced in
Key High Stress Locations

6" SDR26 HEAVY WALL 2-WAY CLEANOUT

Size	Part Number	A	B	C	D
6"	067166	17.125"	13.100"	6.450"	8.460"



MULTI FITTINGS

Telephone: 519 681-2140

Toll Free: 800 265-1815

Fax: 519 681-2156